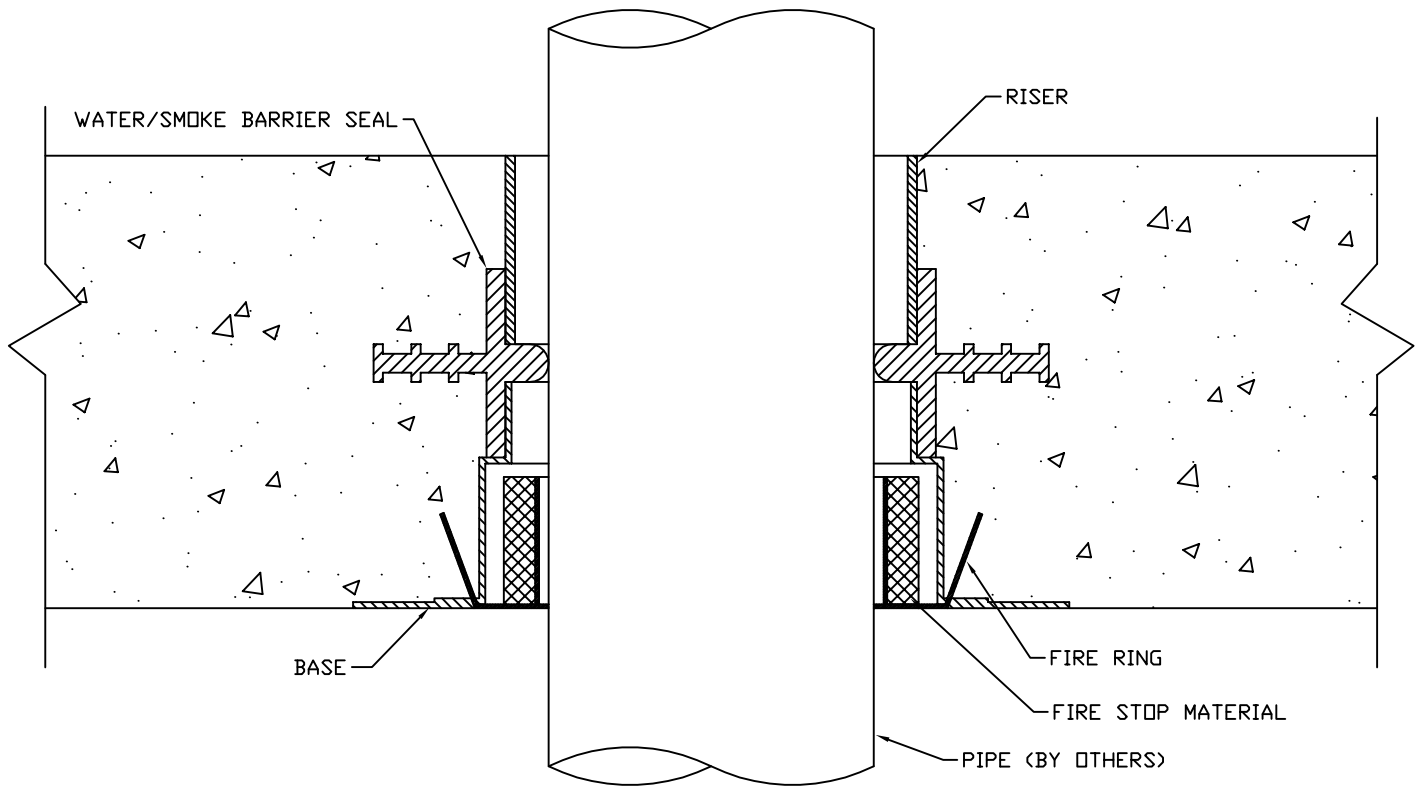


HOLDRITE HydroFlame
STANDARD CONCRETE DECK

Date: 11/02/2007



(09) Floor 3Hour F-Rated, Water Tight Sleeve, B&W Detail

NOTE: Water/Air/Smoke tight pass-through device, Hydroflame, three hour rated, for metallic or plastic pipes. No additional caulk or mineral wool required. Refer to the specific UL system.