



XHEZ.F-B-1017 Through-penetration Firestop Systems

[Page Bottom](#)

Design/System/Construction/Assembly Usage Disclaimer

- Authorities Having Jurisdiction should be consulted in all cases as to the particular requirements covering the installation and use of UL Listed or Classified products, equipment, system, devices, and materials.
 - Authorities Having Jurisdiction should be consulted before construction.
 - Fire resistance assemblies and products are developed by the design submitter and have been investigated by UL for compliance with applicable requirements. The published information cannot always address every construction nuance encountered in the field.
 - When field issues arise, it is recommended the first contact for assistance be the technical service staff provided by the product manufacturer noted for the design. Users of fire resistance assemblies are advised to consult the general Guide Information for each product category and each group of assemblies. The Guide Information includes specifics concerning alternate materials and alternate methods of construction.
 - Only products which bear UL's Mark are considered as Classified, Listed, or Recognized.
-

Through-penetration Firestop Systems

[See General Information for Through-penetration Firestop Systems](#)

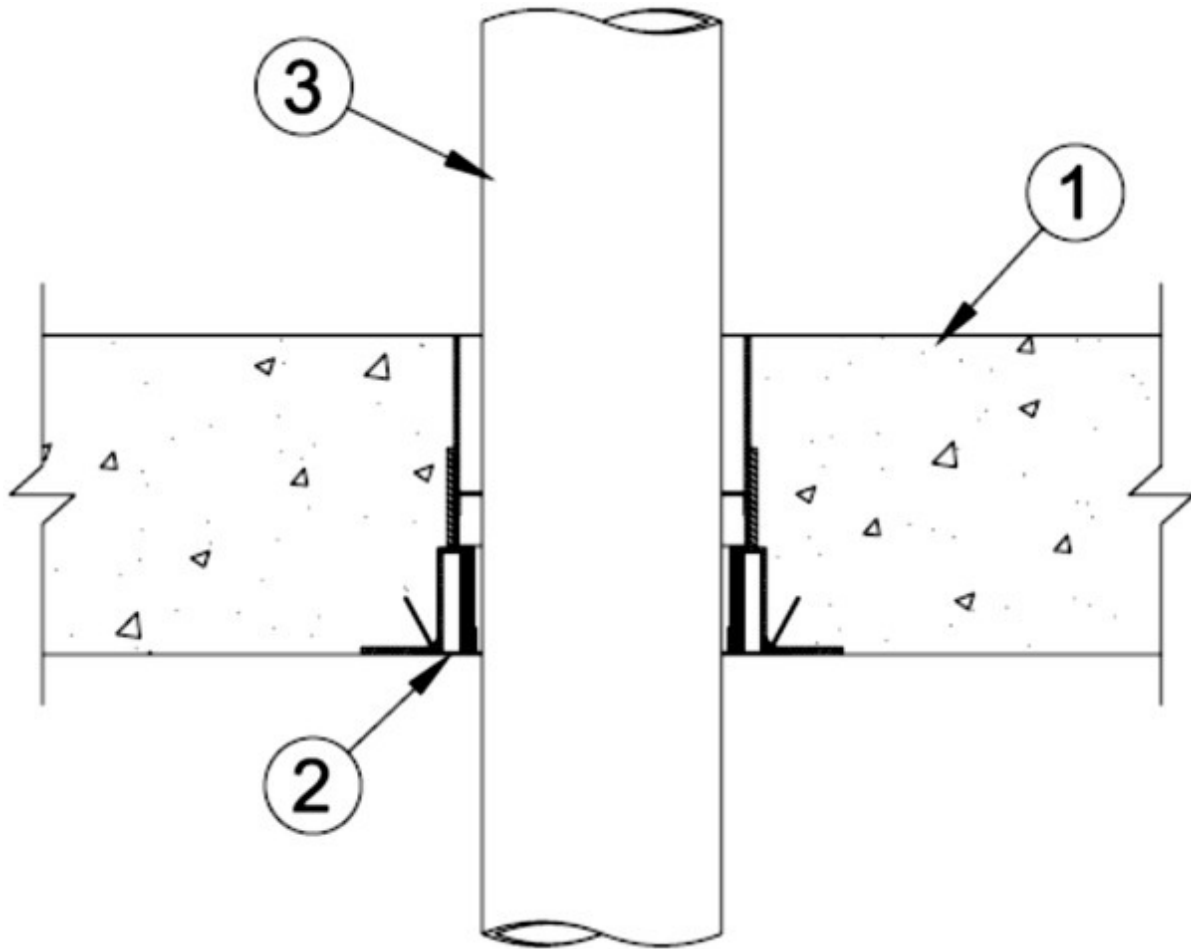
System No. F-B-1017

August 19, 2009

F Rating — 3 Hr

T Rating — 0 Hr

W Rating — Class 1 (See Item 5)



1. **Floor Assembly** — Min 6 in. (152 mm) thick reinforced lightweight or normal weight (100-150 pcf or 1600-2400 kg/m³) concrete.

2. **Firestop Device*** — Cast in place firestop device permanently embedded during concrete placement in accordance with accompanying installation instructions. The device shall be installed flush with top and bottom surfaces of floor.

SECURUS INC, DBA HUBBARD ENTERPRISES — HydroFlame SS-MT

3. **Through Penetrant** — One metallic pipe, conduit or tubing to be installed within the firestop device. Pipe, conduit or tubing to be installed in accordance with firestop device installation instructions and rigidly supported on both sides of floor assembly. The following types of pipe, conduit or tubing may be used:

- A. **Steel Pipe** — Nom 6 in. (152 mm) diam (or smaller) Schedule 10 (or heavier) steel pipe.
- B. **Iron Pipe** — Nom 6 in. (152 mm) diam (or smaller) cast or ductile iron pipe.
- C. **Conduit** — Nom 6 in. (152 mm) diam (or smaller) rigid steel conduit or nom 4 in. (102 mm) diam steel electrical metallic tubing.
- D. **Copper Tubing** — Nom 6 in. (152 mm) diam (or smaller) Type L (or heavier) copper tubing.
- E. **Copper Pipe** — Nom 6 in. (152 mm) diam (or smaller) Regular (or heavier) copper pipe.

4. **Packing Material** — (Optional. Not Shown) - Min 2 in. (51 mm) depth of min 4 pcf (64 kg/m³) mineral wool batt insulation tightly-packed into annular space between penetrant and device with its top surface flush with the top surface of the floor. When optional sealant (Item 5) is used, top surface of packing material to be recessed min 1/4 in. (6 mm) from top surface of floor. W Rating applies only when packing material and sealant (Item 5) is used.

5. **Fill, Void or Cavity Material* - Sealant** — (Optional, Not Shown) - Min 1/4 in. (6 mm) thickness of sealant applied within the annulus, flush with the top surface of floor. Sealant to lap min 1/2 in. (13 mm) onto top surface of concrete around perimeter of firestop device. W Rating applies only when packing material (Item 4) and sealant is used.

3M COMPANY

3M FIRE PROTECTION PRODUCTS — FB-1000 NS, FB-3000 WT or FB-1003 SL

*Bearing the UL Classification Mark

[Copyright © 2009 Underwriters Laboratories Inc.®](#)

The appearance of a company's name or product in this database does not in itself assure that products so identified have been manufactured under UL's Follow-Up Service. Only those products bearing the UL Mark should be considered to be Listed and covered under UL's Follow-Up Service. Always look for the Mark on the product.

UL permits the reproduction of the material contained in the Online Certification Directory subject to the following conditions: 1. The Guide Information, Designs and/or Listings (files) must be presented in their entirety and in a non-misleading manner, without any manipulation of the data (or drawings). 2. The statement "Reprinted from the Online Certifications Directory with permission from Underwriters Laboratories Inc." must appear adjacent to the extracted material. In addition, the reprinted material must include a copyright notice in the following format: "Copyright © 2009 Underwriters Laboratories Inc.®"

An independent organization working for a safer world with integrity, precision and knowledge.

