



## **XHEZ7.F-A-2037**

### **Through-penetration Firestop Systems Certified for Canada**

Page Bottom

---

#### **Design/System/Construction/Assembly Usage Disclaimer**

- Authorities Having Jurisdiction should be consulted in all cases as to the particular requirements covering the installation and use of UL Listed or Classified products, equipment, system, devices, and materials.
  - Authorities Having Jurisdiction should be consulted before construction.
  - Fire resistance assemblies and products are developed by the design submitter and have been investigated by UL for compliance with applicable requirements. The published information cannot always address every construction nuance encountered in the field.
  - When field issues arise, it is recommended the first contact for assistance be the technical service staff provided by the product manufacturer noted for the design. Users of fire resistance assemblies are advised to consult the general Guide Information for each product category and each group of assemblies. The Guide Information includes specifics concerning alternate materials and alternate methods of construction.
  - Only products which bear UL's Mark are considered as Classified, Listed, or Recognized.
- 

#### **Through-penetration Firestop Systems Certified for Canada**

[See General Information for Through-penetration Firestop Systems Certified for Canada](#)

#### **System No. F-A-2037**

August 19, 2009

**F Rating — 2 Hr**

**FT Rating — 1 Hr**

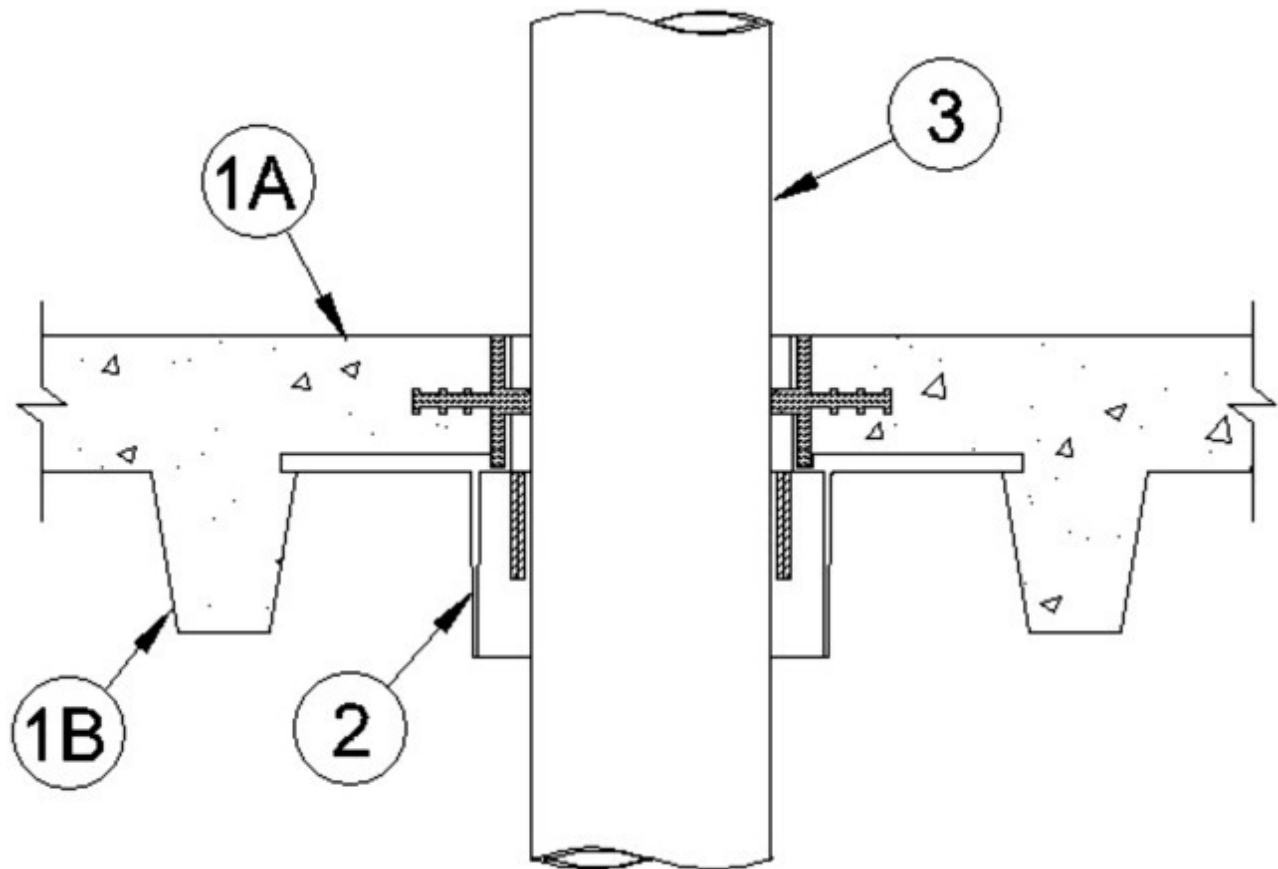
**FH Rating — 2 Hr**

**FTH Rating — 1 Hr**

**L Rating At Ambient — Less Than 1 CFM/sq ft**

**L Rating At 400°F — Less Than 1 CFM/sq ft**

**W Rating — Class 1**



**System tested with a pressure differential of 50 Pa between the exposed and the unexposed surfaces with the higher pressure on the exposed side.**

**1. Floor Assembly** — The fire-rated concrete and fluted steel deck floor assembly shall be constructed of the materials and in the manner specified in the individual D900 Series designs in the UL Fire Resistance Directory and as summarized below:

**A. Concrete** — Min 64 mm (2-1/2 in.) thick reinforced lightweight or normal weight (1600-2400 kg/m<sup>3</sup> or 100-150 pcf) concrete topping, as measured over crests of fluted floor units.

**B. Steel Floor and Form Units\*** — Composite or noncomposite nominal 76 mm (3 in.) deep fluted galv units as specified in the individual Floor-Ceiling design. Diam of opening cut through fluted floor unit to be maximum 6 mm (1/4 in.) larger than outside diameter of bottom extension portion of firestop device base.

**2. Firestop Device\*** — Cast in place firestop device permanently embedded during concrete placement in accordance with accompanying installation instructions. The device shall be inserted through circular cutout in fluted floor unit and secured to crests of steel floor unit with steel screws. Top sleeve extension of device to be installed flush with top surface of floor.

**SECURUS INC, DBA HUBBARD ENTERPRISES** — HydroFlame CD-NP, HydroFlame CD-CP

**3. Through Penetrant** — One nonmetallic pipe or conduit to be installed within the firestop device. Pipe or conduit to be installed in accordance with firestop device installation instructions and rigidly supported on both sides of floor assembly. The following types of pipe, conduit or tubing may be used:

**A. Polyvinyl Chloride (PVC) Pipe** — Nom 152 mm (6 in.) diam (or smaller) Schedule 40 solid or cellular core PVC pipe for use in closed (process or supply) or vented (drain, waste or vent) piping systems.

**B. Rigid Nonmetallic Conduit+** — Nom 152 mm (6 in.) diam (or smaller) Schedule 40 PVC conduit installed in accordance with the National Electrical Code (NFPA No. 70).

**C. Chlorinated Polyvinyl Chloride (CPVC) Pipe** — Nom 152 mm (6 in.) diam (or smaller) SDR13.5 CPVC pipe for use in closed (process or supply) piping systems.

**D. Cross-Linked Polyethylene (PEX) Tubing** — Nom 51 mm (2 in.) diam (or smaller) SDR 9 PEX tubing for use in closed (process or supply) piping systems.

+Bearing the UL Listing Mark

\*Bearing the UL Classification Mark

[Copyright © 2009 Underwriters Laboratories Inc.®](#)

The appearance of a company's name or product in this database does not in itself assure that products so identified have been manufactured under UL's Follow-Up Service. Only those products bearing the UL Mark should be considered to be Listed and covered under UL's Follow-Up Service. Always look for the Mark on the product.

UL permits the reproduction of the material contained in the Online Certification Directory subject to the following conditions: 1. The Guide Information, Designs and/or Listings (files) must be presented in their entirety and in a non-misleading manner, without any manipulation of the data (or drawings). 2. The statement "Reprinted from the Online Certifications Directory with permission from Underwriters Laboratories Inc." must appear adjacent to the extracted material. In addition, the reprinted material must include a copyright notice in the following format: "Copyright © 2009 Underwriters Laboratories Inc.®"

An independent organization working for a safer world with integrity, precision and knowledge.

