



XHEZ7.F-A-2038 Through-penetration Firestop Systems Certified for Canada

Page Bottom

Design/System/Construction/Assembly Usage Disclaimer

- Authorities Having Jurisdiction should be consulted in all cases as to the particular requirements covering the installation and use of UL Listed or Classified products, equipment, system, devices, and materials.
 - Authorities Having Jurisdiction should be consulted before construction.
 - Fire resistance assemblies and products are developed by the design submitter and have been investigated by UL for compliance with applicable requirements. The published information cannot always address every construction nuance encountered in the field.
 - When field issues arise, it is recommended the first contact for assistance be the technical service staff provided by the product manufacturer noted for the design. Users of fire resistance assemblies are advised to consult the general Guide Information for each product category and each group of assemblies. The Guide Information includes specifics concerning alternate materials and alternate methods of construction.
 - Only products which bear UL's Mark are considered as Classified, Listed, or Recognized.
-

Through-penetration Firestop Systems Certified for Canada

[See General Information for Through-penetration Firestop Systems Certified for Canada](#)

System No. F-A-2038

August 19, 2009

F Rating — 1-1/2 Hr

FT Rating — 1/4 Hr

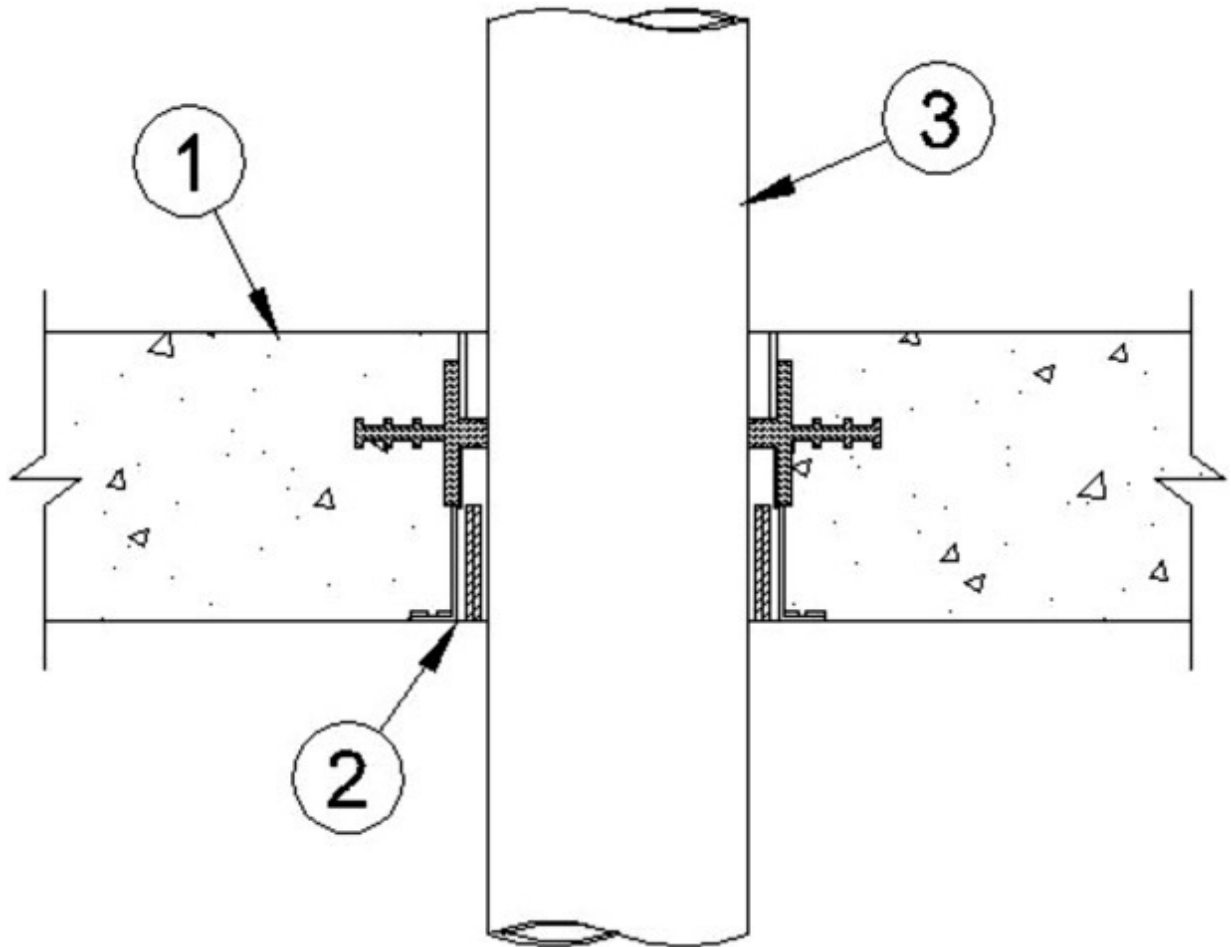
FH Rating — 1-1/2 Hr

FTH Rating — 1/4 Hr

L Rating At Ambient — Less Than 1 CFM/sq ft

L Rating At 400°F — Less Than 1 CFM/sq ft

W Rating — Class 1



System tested with a pressure differential of 50 Pa between the exposed and the unexposed surfaces with the higher pressure on the exposed side.

1. **Floor Assembly** — Min 114 mm (4-1/2 in.) thick reinforced lightweight or normal weight (1600-2400 kg/m³ or 100-150 pcf) concrete.

2. **Firestop Device*** — Cast in place firestop device permanently embedded during concrete placement in accordance with accompanying installation instructions. The device shall be installed flush with top and bottom surfaces of floor.

SECURUS INC, DBA HUBBARD ENTERPRISES — HydroFlame PS-NP

3. **Through Penetrant** — One nonmetallic pipe or conduit to be installed within the firestop device. Pipe or conduit to be installed in accordance with firestop device installation instructions and rigidly supported on both sides of floor assembly. The following types of pipe, conduit or tubing may be used:

A. **Polyvinyl Chloride (PVC) Pipe** — Nom 152 mm (6 in.) diam (or smaller) Schedule 40 solid or cellular core PVC pipe for use in closed (process or supply) or vented (drain, waste or vent) piping systems.

B. **Rigid Nonmetallic Conduit+** — Nom 152 mm (6 in.) diam (or smaller) Schedule 40 PVC conduit installed in accordance with the National Electrical Code (NFPA No. 70).

C. **Chlorinated Polyvinyl Chloride (CPVC) Pipe** — Nom 152 mm (6 in.) diam (or smaller) SDR 13.5 (or heavier) or Schedule 40 CPVC pipe for use in closed (process or supply) piping systems.

*Bearing the UL Classification Mark

+Bearing the UL Listing Mark

Last Updated on 2009-08-19

[Questions?](#)

[Notice of Disclaimer](#)

[Page Top](#)

Copyright © 2009 Underwriters Laboratories Inc.®

The appearance of a company's name or product in this database does not in itself assure that products so identified have been manufactured under UL's

Follow-Up Service. Only those products bearing the UL Mark should be considered to be Listed and covered under UL's Follow-Up Service. Always look for the Mark on the product.

UL permits the reproduction of the material contained in the Online Certification Directory subject to the following conditions: 1. The Guide Information, Designs and/or Listings (files) must be presented in their entirety and in a non-misleading manner, without any manipulation of the data (or drawings). 2. The statement "Reprinted from the Online Certifications Directory with permission from Underwriters Laboratories Inc." must appear adjacent to the extracted material. In addition, the reprinted material must include a copyright notice in the following format: "Copyright © 2009 Underwriters Laboratories Inc.®"

An independent organization working for a safer world with integrity, precision and knowledge.

