



XHEZ.F-A-2189 Through-penetration Firestop Systems

[Page Bottom](#)

Design/System/Construction/Assembly Usage Disclaimer

- Authorities Having Jurisdiction should be consulted in all cases as to the particular requirements covering the installation and use of UL Listed or Classified products, equipment, system, devices, and materials.
 - Authorities Having Jurisdiction should be consulted before construction.
 - Fire resistance assemblies and products are developed by the design submitter and have been investigated by UL for compliance with applicable requirements. The published information cannot always address every construction nuance encountered in the field.
 - When field issues arise, it is recommended the first contact for assistance be the technical service staff provided by the product manufacturer noted for the design. Users of fire resistance assemblies are advised to consult the general Guide Information for each product category and each group of assemblies. The Guide Information includes specifics concerning alternate materials and alternate methods of construction.
 - Only products which bear UL's Mark are considered as Classified, Listed, or Recognized.
-

Through-penetration Firestop Systems

[See General Information for Through-penetration Firestop Systems](#)

System No. F-A-2189

August 19, 2009

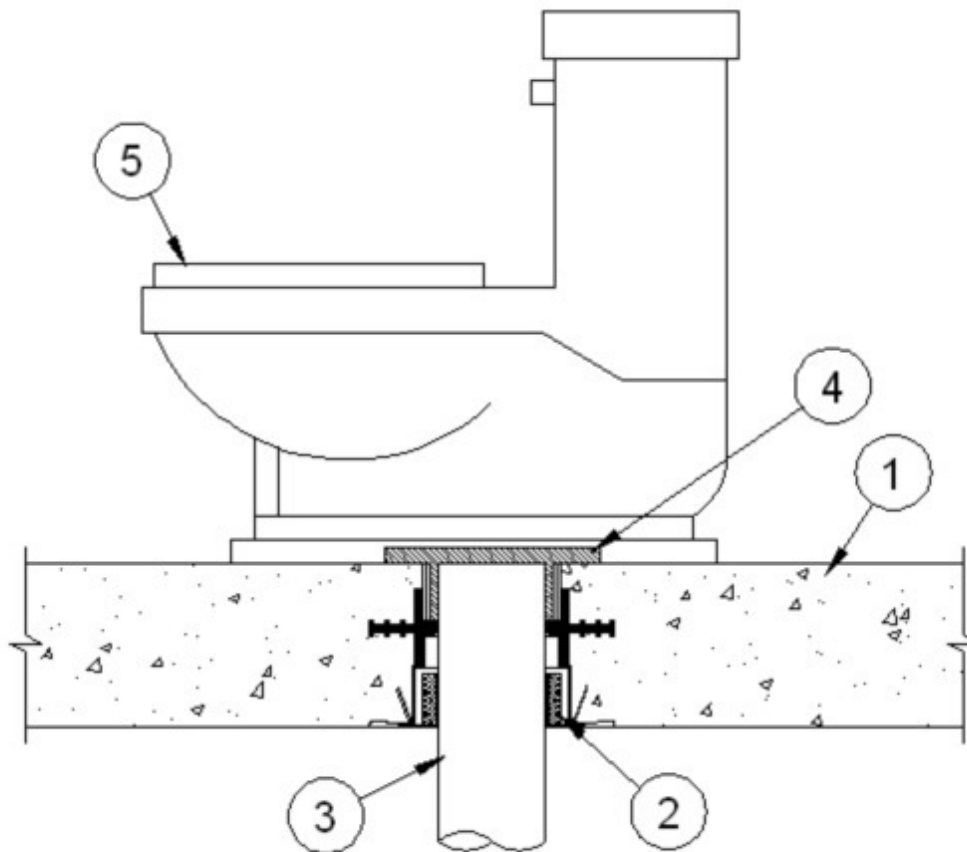
F Rating — 3 Hr

T Rating — 3 Hr

L Rating At Ambient — Less Than 1 CFM/sq ft

L Rating At 400 F — Less Than 1 CFM/sq ft

W Rating — Class 1



1. **Floor Assembly** — Min 4-1/2 in. (114 mm) thick reinforced lightweight or normal weight (100-150 pcf or 1600-2400 kg/m³) concrete floor.

2. **Firestop Device*** — Cast-in-place firestop device permanently embedded during concrete placement in accordance with accompanying installation instructions. The device shall be installed flush with top and bottom surfaces of floor.

SECURUS INC, DBA HUBBARD ENTERPRISES — HydroFlame PS-CF

3. **Nonmetallic Pipe** — One nonmetallic pipe to be installed within the firestop device. Pipe to be installed approximately flush with top surface of floor in accordance with firestop device installation instructions and to be rigidly supported on underside of floor assembly. The following types of pipe may be used:

A. **Polyvinyl Chloride (PVC) Pipe** — Nom 3 in. (76 mm) or 4 in. (102 mm) diam Schedule 40 solid or cellular core PVC pipe.

B. **Acrylonitrile Butadiene Styrene (ABS) Pipe** — Nom 3 in. (76 mm) or 4 in. (102 mm) diam Schedule 40 solid or cellular core ABS pipe.

4. **Toilet Flange** — PVC or ABS toilet flange with nominal 7 in. (178 mm) diam top ring and with nominal 4 in. (102 mm) OD throat sized to fit both 3 in. (76 mm) and 4 in. (102 mm) diam drain piping. Toilet flange cemented to top of nonmetallic pipe (Item 3) and secured to top surface of floor with closet bolts.

5. **Water Closet** — Floor mounted vitreous china water closet.

*Bearing the UL Classification Mark

Last Updated on 2009-08-19

[Questions?](#)

[Notice of Disclaimer](#)

[Page Top](#)

Copyright © 2009 Underwriters Laboratories Inc.®

The appearance of a company's name or product in this database does not in itself assure that products so identified have been manufactured under UL's Follow-Up Service. Only those products bearing the UL Mark should be considered to be Listed and covered under UL's Follow-Up Service. Always look for the Mark on the product.

UL permits the reproduction of the material contained in the Online Certification Directory subject to the following conditions: 1. The Guide Information, Designs and/or Listings (files) must be presented in their entirety and in a non-misleading manner, without any manipulation of the data (or drawings). 2. The statement "Reprinted from the Online Certifications Directory with permission from Underwriters Laboratories Inc." must appear adjacent to the extracted material. In addition, the reprinted material must include a copyright notice in the following format: "Copyright © 2009 Underwriters Laboratories Inc.®"

An independent organization working for a safer world with integrity, precision and knowledge.

